



CS8000TC ONLINE PROCESS CONDUCTIVITY PROBE

PRODUCT SPECIFICATION SHEET

CS8000TC (SENSOR ONLY)



Installs in seconds with no tools necessary

Quick disconnect cable enables easy sensor maintenance

Flat measurement surface resists coating

Built in automatic temperature compensation

Compatible with a wide range of transmitters and controllers

Ideal for continuous monitoring in boiler, cooling tower, and other process applications, the CS8000 is a convenient and reliable conductivity monitoring probe.

CS8300TC (PACKAGE)



The probe installs in seconds, with a keyed flange to ensure proper sensor orientation. Cleaning, calibrating, and replacing sensors has never been easier. The S855 cable assembly detaches from the sensor body in seconds with no tools required, just hand loosen the knurled nut and remove the sensor. Flush mount graphite measuring surface is easily cleaned with detergent and a soft bristled brush.

Temperature compensation is included with a choice of sensor types (10K NTC, 30K NTC, Pt 1000RTD & Pt100 RTD) to match the requirements of your conductivity transmitter or controller. Compatible with Sensorex controllers and transmitters as well as those from other manufacturers.

Order the CS8000TC by itself, or in a pre-configured kit that includes the cable assembly and flow cell.

SPECIFICATIONS

Cell Constant / Range	K = 1.0 +/- 10%
Wetted Materials	CPVC, Graphite, Viton*
Max Temperature and Pressure	60°C (140°F), 100 psig
Temperature Compensation	Choice of 10K NTC, 30K NTC, Pt100 RTD, or PT1000 RTD

DESIGNED AND ASSEMBLED IN CALIFORNIA, USA

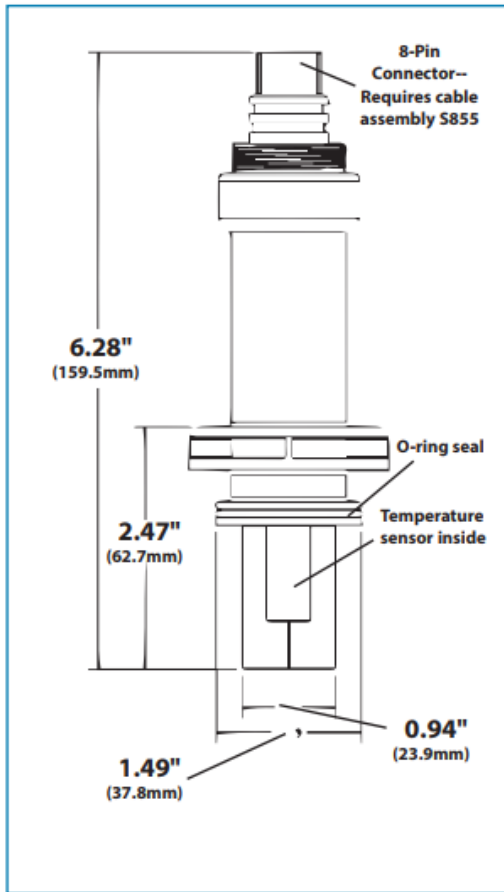
11751 MARKON DRIVE • GARDEN GROVE, CA 92841 • 714.895.4344 • WWW.SENSOREX.COM

© Sensorex Corporation. All rights reserved. In the interest of improving and updating its equipment, Sensorex reserves the right to alter specifications to equipment at any time.

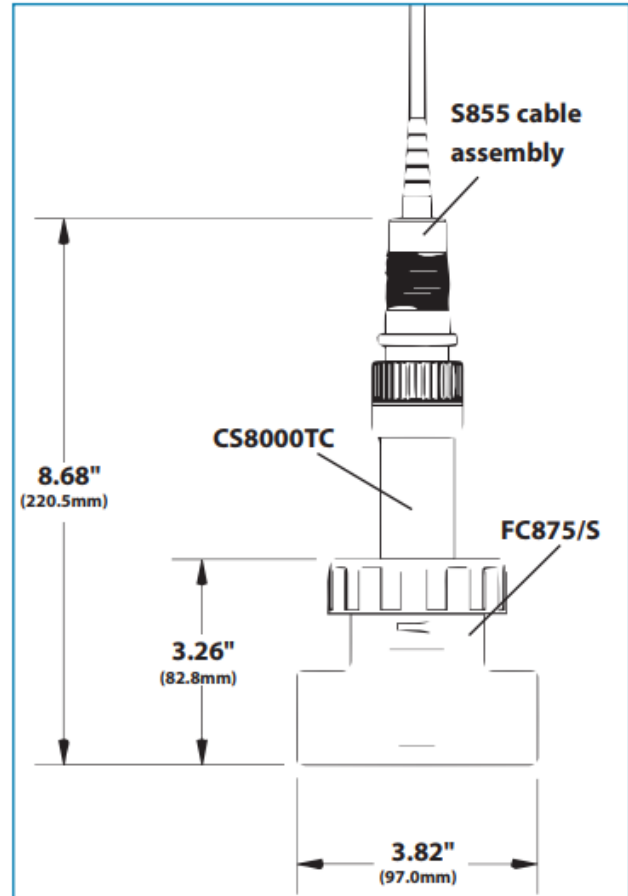
CS8000TC ONLINE PROCESS CONDUCTIVITY PROBE

PRODUCT SPECIFICATION SHEET

CS8000TC (SENSOR ONLY)



CS8300TC (SENSOR + FLOW CELL + CABLE ASSEMBLY)



ORDERING INFORMATION

Part Number	Description
CS8000TC	Conductivity probe, CPVC. graphite measuring surface, integrated temperature sensor (specify 10K NTC, 30K NTC, Pt100 RTD, or Pt1000RTD)
CS8300TC	CS8000 sensor body with S855 cable assembly (specify cable length - 10 or 20 ft standard) and 3/4" NPT threaded flow cell
FC875/S	Flow cell, CPVC construction for CS8000TC, 3/4" socket connection
FC875/T	Flow cell, CPVC construction for CS8000TC, 3/4" NPT threaded connection
S855/10/TL/TL	Cable assembly for CS800TC, 10ft Length, tinned wires
S855/10/TL/TL	Cable assembly for CS800TC, 20 ft Length, tinned wires

DESIGNED AND ASSEMBLED IN CALIFORNIA, USA

11751 MARKON DRIVE • GARDEN GROVE, CA 92841 • 714.895.4344 • WWW.SENSOREX.COM

© Sensorex Corporation. All rights reserved. In the interest of improving and updating its equipment, Sensorex reserves the right to alter specifications to equipment at any time.