

### DIRECT REPLACEMENT 5-WIRE DIFFERENTIAL pH AND ORP SENSORS



---

**Employs differential measurement technique**

---

**Superior accuracy through elimination of ground loops**

---

**Buffered reference cell solution resists contamination**

---

**Direct fit replacements for Hach®/GLI differential sensors**

---

**Direct fit replacements for Water Analytics® models**

---

**Two year limited warranty**

---

#### Differential sensors have longer working lifetimes

The differential design employs two glass electrodes, which record pH or ORP measurements differentially with respect to a third metal electrode. The reference cell of a differential sensor is actually a measuring electrode in a concentrated pH 7.0 buffer solution rather than a traditional silver/silver chloride reference. This type of reference cell resists contamination by the sample, improving measurement accuracy and extending sensor lifetime.

#### Save time and money with quick and easy maintenance

With differential technology, you won't have to replace the entire sensor after just a few months. Simply replace the salt bridge and refill the reference solution to keep your electrode working longer.

#### An accurate and reliable sensor that works with your system

The differential design provides unsurpassed accuracy by virtually eliminating ground loops. Automatic temperature compensation ensures measurement accuracy in environments with rapid temperature changes. Durable Ryton® PPS body construction for extensive chemical compatibility.

### RECOMMENDED APPLICATIONS:

---

- **Wastewater Treatment**
- **Drinking Water Treatment**
  - **Odor Scrubbers**
  - **Food Processing**
  - **Metal Finishing**
  - **Pulp and Paper**
- **Chemical Processing**

### DIRECT FIT COMPATIBILITY:

---

- **Hach® 6022P0 and 2022R0 (Ryton® PPS)**
- **Hach® 6028P0 and 2028R0 (LCP)**
  - **Water Analytics® P60C-8**

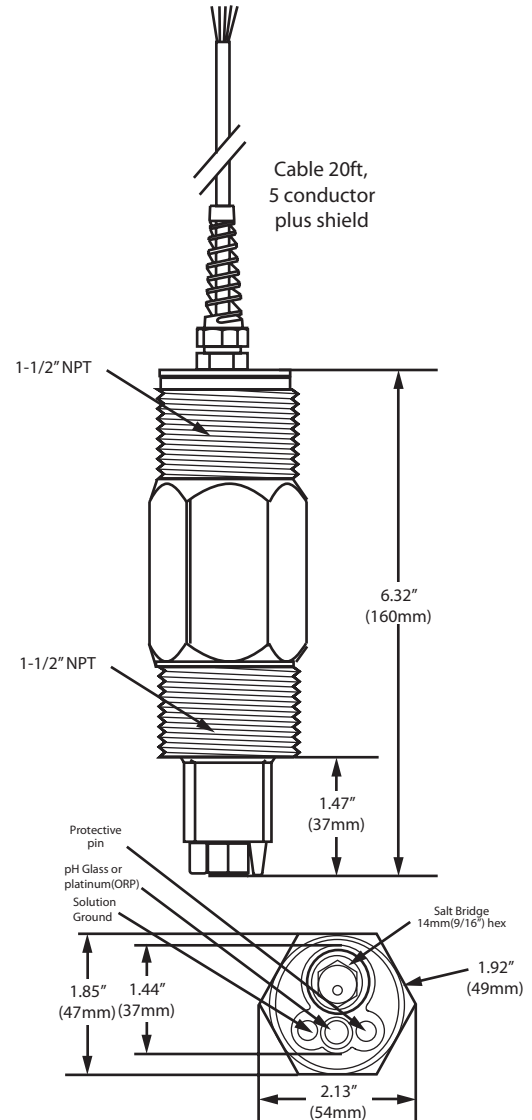
Hach is a registered trademark of Danaher. No affiliation, endorsement or sponsorship is stated or implied.

**DESIGNED AND ASSEMBLED IN CALIFORNIA, USA**

11751 MARKON DRIVE • GARDEN GROVE, CA 92841 • 714.895.4344 • WWW.SENSOREX.COM

© Sensorex Corporation. All rights reserved. In the interest of improving and updating its equipment, Sensorex reserves the right to alter specifications to equipment at any time.

### OUTLINE AND DIMENSIONS



### SPECIFICATIONS

<b>pH Measurement Range:</b>	0 to 14
<b>ORP Measurement Range</b>	-2000mV to 2000mV
<b>pH Stability</b>	0.03pH per 24 hours, non-cumulative
<b>Wetted Materials</b>	PPS body and salt bridge, PVDF & ceramic junction, Viton o-rings, titanium solution ground, pH glass or ORP - platinum band
<b>Transmission Distance:</b>	3000ft (914m)
<b>Temperature Compensation:</b>	300 Ohm NTC
<b>Temperature Range:</b>	0-95°C(32-203°F)
<b>Pressure Maximum:</b>	100psig @ 40°C (104°F)- for PVC tee/ fitting 100psig @ 60°C (140°F)- for CPVC tee/fitting 100psig @ 95°C (203°F)- for stainless steel tee/ fitting
<b>Flow Rate</b>	10ft/sec maximum (3 meters/sec)
<b>Sensor Cable</b>	5 conductor plus shield, 22AWG, 20ft (6.1m)

### ORDERING INFORMATION

Part Number	Description
<b>SD7000CD</b>	Differential pH sensor with replaceable salt bridge, 20ft cable, tinned leads, 1.5" NPT mounting
<b>SD7000CD-ORP</b>	Differential ORP sensor with replaceable salt bridge, 20ft cable, tinned leads, 1.5" NPT mounting
<b>SDA-7001</b>	Salt bridge for SD7000CD & SD7000CD-ORP, 1 each
<b>SDA-7003</b>	Salt bridge for SD7000CD & SD7000CD-ORP, 3 each
<b>SDA-7010</b>	Salt bridge for SD7000CD & SD7000CD-ORP, 10 each
<b>SDS-7015</b>	Standard cell refill solution, 125mL

Hach is a registered trademark of Danaher. No affiliation, endorsement or sponsorship is stated or implied.

Document #450002 Revision A: Published 3/29/16

**DESIGNED AND ASSEMBLED IN CALIFORNIA, USA**

11751 MARKON DRIVE • GARDEN GROVE, CA 92841 • 714.895.4344 • WWW.SENSOREX.COM

© Sensorex Corporation. All rights reserved. In the interest of improving and updating its equipment, Sensorex reserves the right to alter specifications to equipment at any time.