



TCS3000 AND TCS3020 SERIES TOROIDAL CONDUCTIVITY SENSORS

PRODUCT SPECIFICATION SHEET



Resists coating, corrosion and fouling

Durable Noryl construction

Easy installation

Custom tee for in-line mounting

Connects with Sensorex EX2000RS, TCSMA, TCSTX, or Rosemount or Foxboro instrumentation

SPECIFICATIONS

Measuring Range	0-2,000,000 uS/cm
Body Material	Noryl
Max Temperature	105°C (*If used with FC95C flow cell, maximum temperature is 80°C)
Max Pressure	150 psig
Temperature Compensation	User specified temperature elements, -P1k for TCSMA transmitter, or NTC-30K/PT-1000 for EX2000RS transmitter
Cable Length	20 feet, 6 conductor plus shields
Process Connection	3/4" MNPT for submersion, 2" slip fitting with FC95C flow cell

The Sensorex TCS series toroidal (inductive) conductivity sensors feature wide measurement ranges and dependable toroidal technology over the range 0-2000 ms/cm. Resistant to corrosion, coatings, and fouling common to contacting conductivity sensors, the TCS series is designed for a long and trouble-free service life.

Noryl is the standard material of construction and has a wide solvent tolerance and temperature stability to 105 degrees C.* All Noryl models can be submersed by utilizing the 3/4"MNPT threads on the sensor or installed inline using the FC95C flow cell. ATC element is user specified and built into the TCS sensor. All TCS sensor models are supplied with 20ft long 9-conductor cable. Custom lengths are available. Please contact Sensorex for pricing.

Choose the TCS3020 for use with a Sensorex EX2000RS, TCSMA, or TCSTX toroidal transmitter. TCS3000 sensors can be connected to toroidal controllers and transmitters manufactured by Rosemount, Foxboro, and others.

ORDERING INFORMATION

Part Number	Description
TCS3000	Noryl Toroidal Sensor (Version 3) - after 05/31/08
TCS3020/ PIK/20/TL/TL	Noryl Toroidal Sensor with 20-30 windings
EX2000RS	100-240VAC Powered Toroidal Controller with display, 4-20mA + RS485 outputs (TCS3020 only)
TCSMA	2-Wire Blind Toroidal Transmitter, 4-20mA (TCS3020 only)
TCSTX	2-Wire Autoranging Toroidal Transmitter with display, 4-20mA (TCS3020 only)
FC95C	2" Keyed Slip Fit Flow Cell

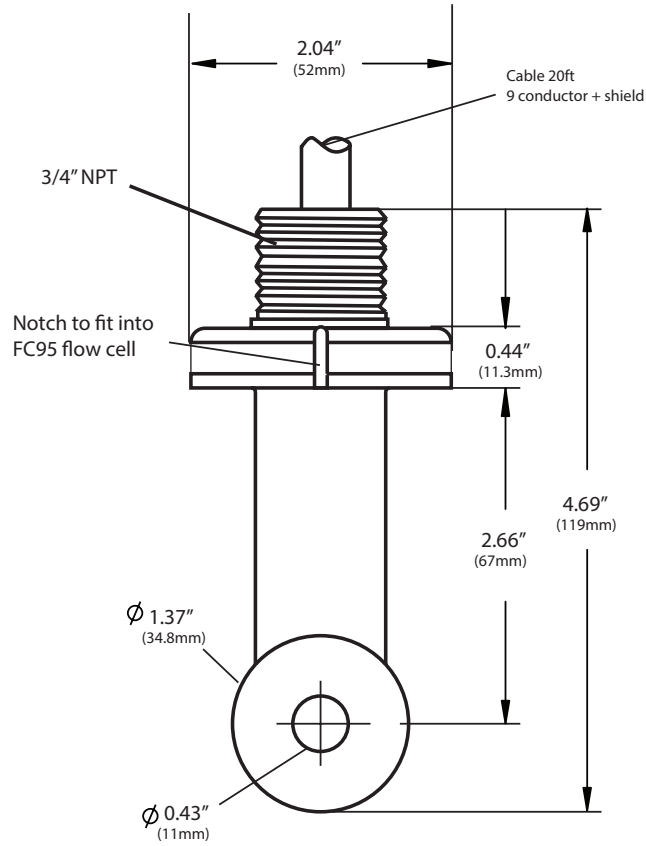
DESIGNED AND ASSEMBLED IN CALIFORNIA, USA

11751 MARKON DRIVE • GARDEN GROVE, CA 92841 • 714.895.4344 • WWW.SENSOREX.COM

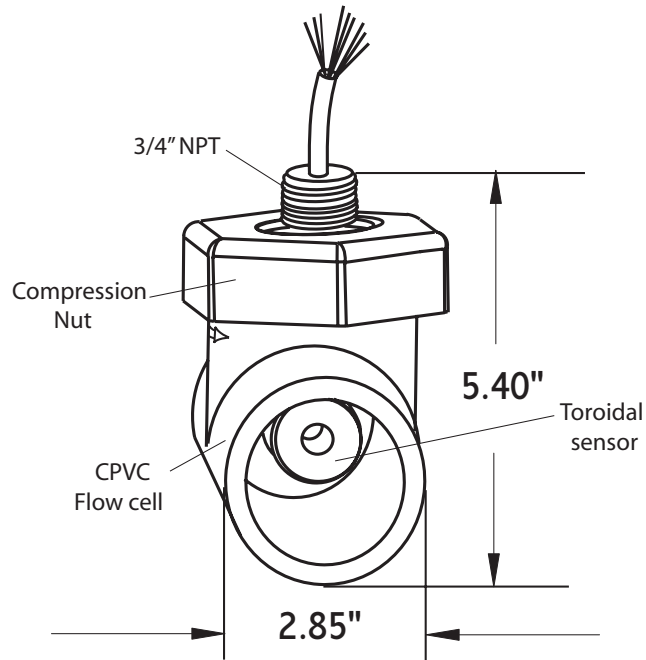
© Sensorex Corporation. All rights reserved. In the interest of improving and updating its equipment, Sensorex reserves the right to alter specifications to equipment at any time.

DIMENSIONAL VIEWS

TCS3000 and TCS3020



TCS3000 or TCS3020 IN FC95C FLOW CELL



DESIGNED AND ASSEMBLED IN CALIFORNIA, USA

11751 MARKON DRIVE • GARDEN GROVE, CA 92841 • 714.895.4344 • WWW.SENSOREX.COM

© Sensorex Corporation. All rights reserved. In the interest of improving and updating its equipment, Sensorex reserves the right to alter specifications to equipment at any time.